

# Air Sifter AS



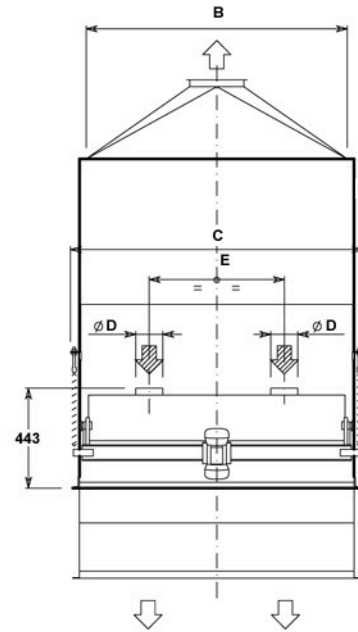
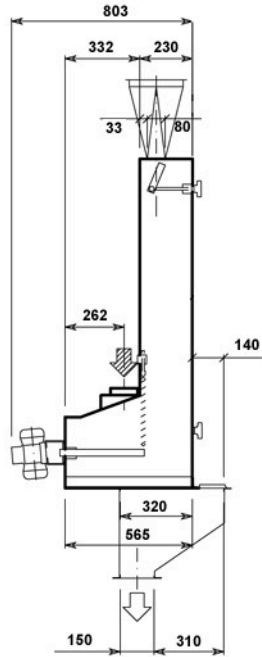
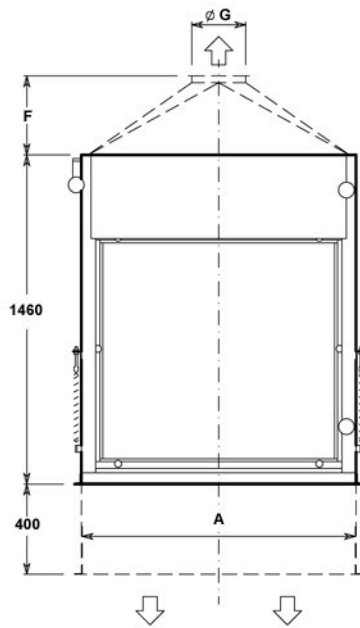
Sorting

The vertical air sifter type AS is used for cleaning of granular products and for the elimination of foreign particles consisting of light particles such as straw, hulls, etc. Due to the adjustable cross-section of the air channel the air velocity can be controlled. The light particles are seized by an air

current flowing around the product along the entire width of the aspiration channel and are carried upwards.

On request, the machine can be equipped with a magnet in the outlet.

The separation process can be observed through a wide illuminated inspection glass.



Type	A	B	C	D	E	F	G	Weight kg	Volume m <sup>3</sup>	Grain t/h	Air m <sup>3</sup> /h
AS/600	620	560	700	120	-	350	230	137	0,8	5	1800
AS/1000	1020	960	1100	150	-	650	300	178	1.3	10	4920
AS/1500	1520	1460	1600	150	700	1100	380	236	1.9	15	7200



**F.H. SCHULE Mühlenbau GmbH**  
 Dieselstraße 5-9  
 D - 21465 Reinbek / Hamburg  
 Phone +49 (0) 40 7 27 71 - 0  
 Fax +49 (0) 40 7 27 71 - 710

schule@amandus-kahl-group.de  
[www.schulefood.de](http://www.schulefood.de)

