

Complete Plants for Oat Processing

SCHULE – your competent partner
in oat processing, from raw oats to finished
oat flakes

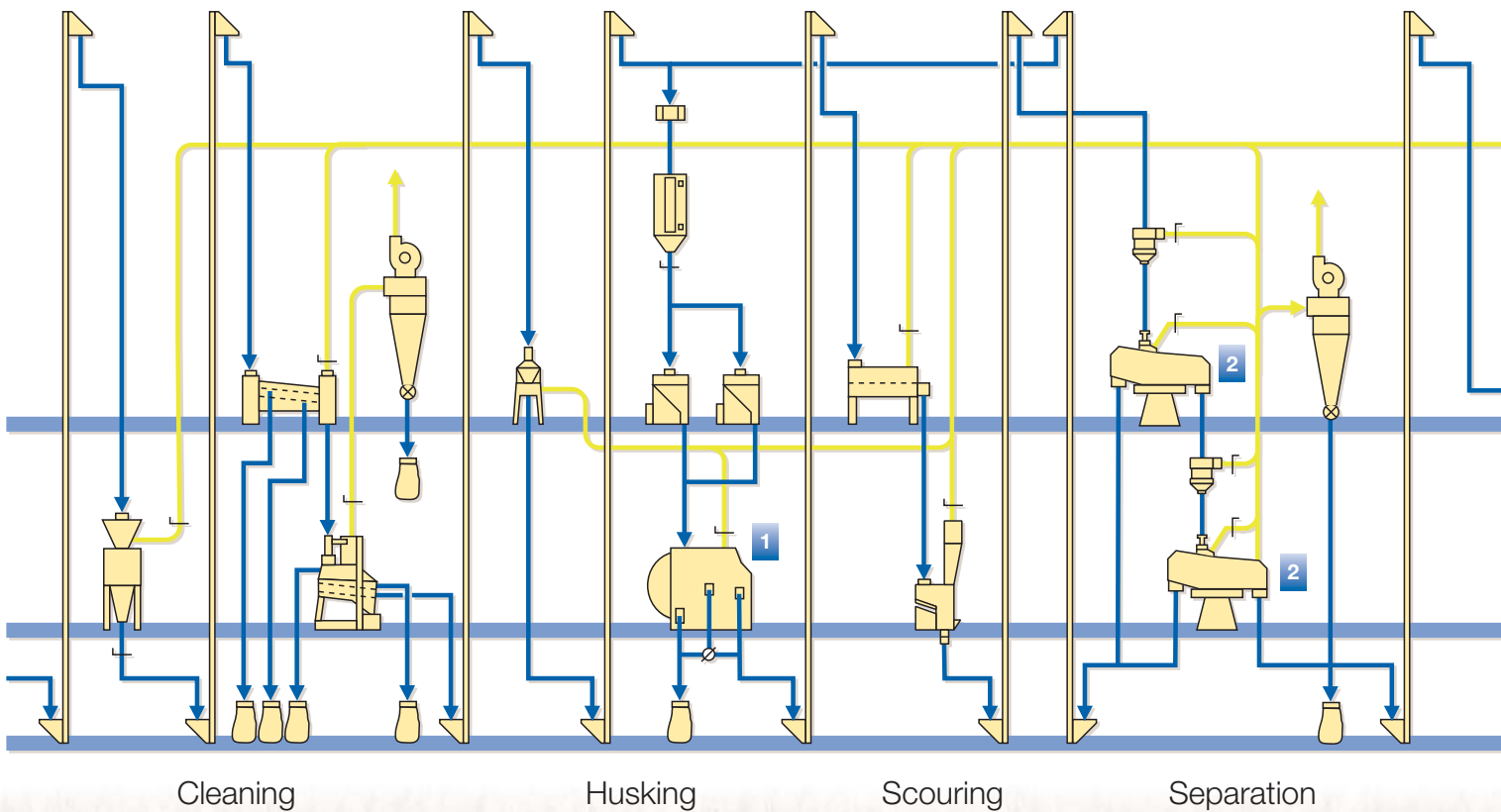


Complete Plants for Oat Processing

The machines and plants for oat processing developed by SCHULE deliver high-quality final products.

The following types of flakes can be produced:

- flakes from whole kernels
- oat flour
- oats/muesli mixtures
- baby flakes
- instant flakes
- oat bran



Cleaning

Husking

Scouring

Separation



Husk separator

For exact separation of husks and kernels



High-capacity table separator

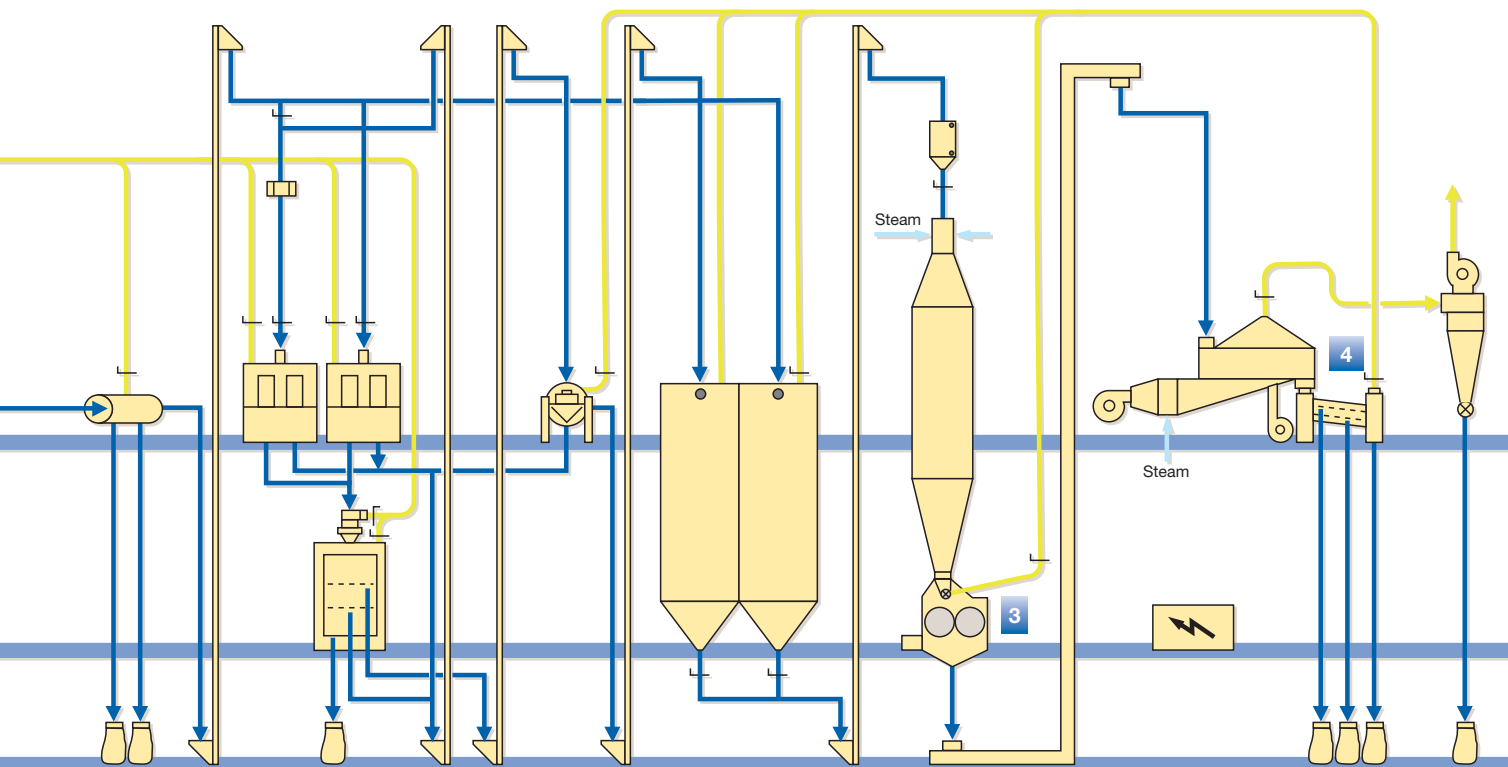
The precision machine for the separation of husked and unhusked oats

These types of flake can be enriched with liquid microcomponents such as vitamins, minerals, flavours, calcium and iron.

SCHULE plants are characterized by their sturdy modular design, an energy efficient development, flexible application, ease of maintenance and very long service life.

The following by-products are produced:

- oat spelts
- dusting flour from oats
- feed meal from oats
- feed flakes



Sorting

Cutting

Steaming and flaking

Drying and sifting.
Optional: Mixing, grinding and packing



Flaking roller mill

Flexible and sturdy machine ensuring a uniform flake thickness of oats, barley, wheat and buckwheat.



Fluid bed drier

For gentle and homogeneous drying of oat flakes

Machines, Plants, and Turn-key Factories for Cereals and Legumes Processing



This oat processing plant, delivered by F.H. SCHULE, has been in operation for about 100 years.

SCHULE service:

- Planning
- Engineering
- Development
- Production
- Assembly
- Commissioning
- Automatic PLC process control and visualization
- After-sales-service

SCHULE delivery programme:

- Husking plants for all cereals
- Hydrothermal plants
- Turn-key plants for the milling industry

SCHULE specialties:

- Husking and whitening
- Products for babyfood and the food industry

All from one source.
Made in Germany.



Oat mill in South Africa, extended by means of SCHULE machines in 2006



F. H. SCHULE Mühlenbau GmbH

Dieselstraße 5-9
D - 21465 Reinbek / Hamburg
Phone: +49 (0)40 7 27 71 - 0
Fax: +49 (0)40 7 27 71 - 710

schule@amandus-kahl-group.de

www.schulefood.de

